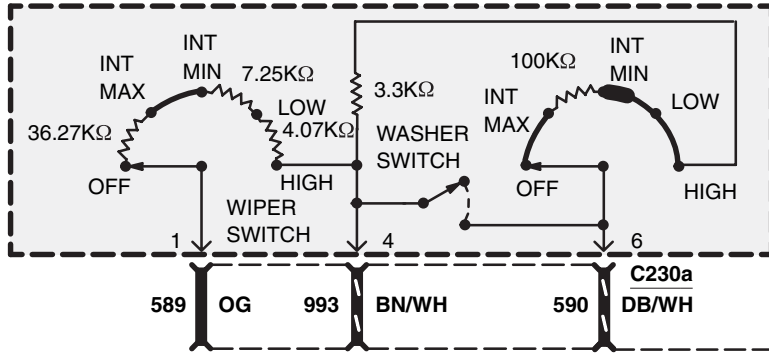


81-1 INTERVAL WIPER/WASHER

2001 F53

For diagnostic information, refer to Section 501-16 of the Workshop Manual.

SINGLE WIPER/ WASHER MOTOR

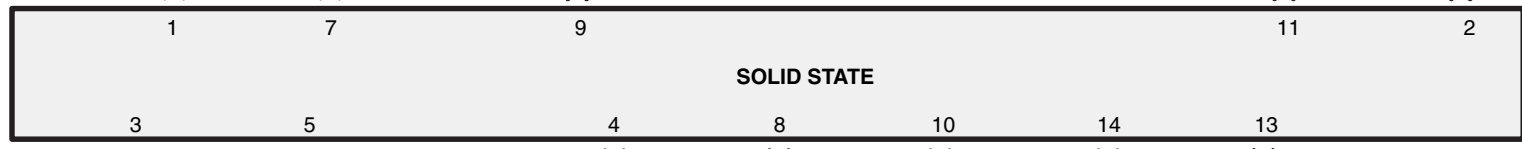
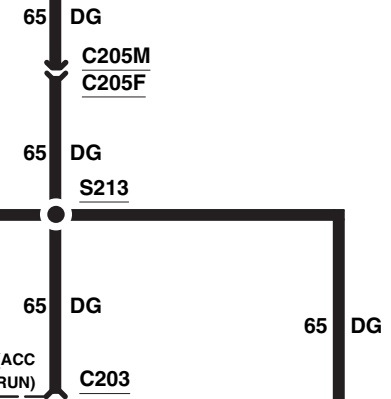
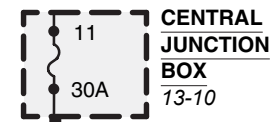


Allows driver to select Washer, Low, High or Interval wiper functions.

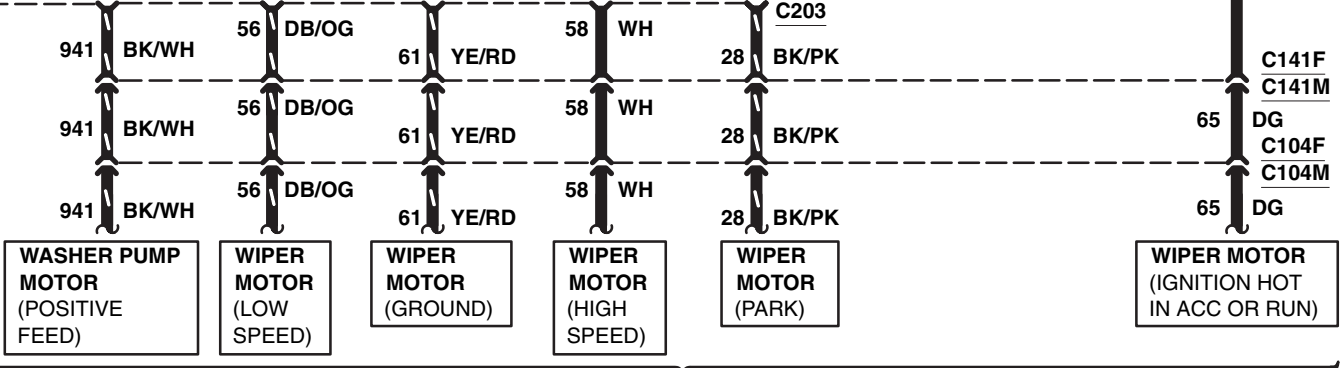
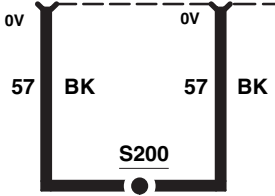
MULTIFUNCTION SWITCH
SEE 149-3 FOR SWITCH TESTING

Receives voltage from Multifunction Switch to perform Washer, Low, High or Interval wiper functions.

HOT IN ACC OR RUN



WINDSHIELD WIPER CONTROL MODULE



SUPPLIED BY BODY BUILDER

SEE GROUNDS 10-3

